



Function:

The **112 Series Aeration Jet** produces a tight, frothy column of water. It is attractive in any setting, particularly when installed with underwater lighting. The effect is spectacular when used in groups or mounted on spray rings, bars, grids or a jet pod.



112 Series

Aeration Jet

#112-1070 Aeration Jet:
3/4" Solder connection; 1-1/4" orifice.

#112-1071 Aeration Jet:
3/4" NPT connection; 1-1/4" orifice.

#112-1150 Aeration Jet:
1-1/2" Solder connection; 2-1/8" orifice.

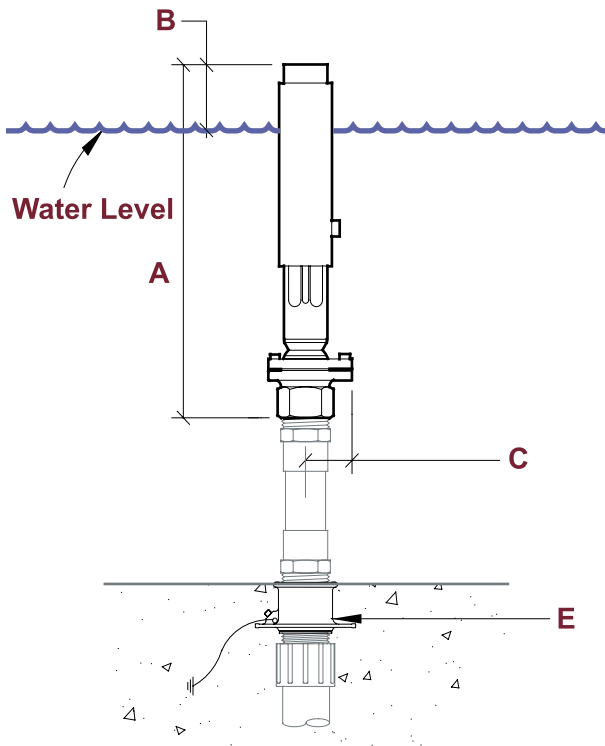
#112-1151 Aeration Jet:
1-1/2" NPT connection; 2-1/8" orifice.

#112-1300 Aeration Jet:
3" Solder connection; 3" orifice.

#112-1301 Aeration Jet:
3" NPT connection; 3" orifice.

Key Features:

- Adjustable to 15 degrees off vertical.
- Machined cast bronze construction, with stainless steel fasteners.
- Three connection sizes available: 3/4", 1-1/2" & 3".
- The adjustable collar allows the ratio of air-to-water entrainment to be varied, changing the spray height as well as the frothiness of the column of water.
- **Water level dependent.** Will require a constant water level above the orifice.



Size	A	B	C
3/4"	8-1/8"	1-3/8"	R1-1/4"
1-1/2"	1'-1-1/2"	2-1/2"	R1-15/16"
3"	1'-9-1/2"	3"	R3-15/16"

Recommended accessories shown in drawing:
(E) 276 Series Slab Penetration. Not shown but recommended: 486 Series Water Level Sensor.



Model	Order #	Flow Volume & Pressure	Spray Height											Shipping Weight		
			3'	5'	8'	10'	15'	20'	25'	30'	35'	40'	52'			
112-1070	200-20052	GPM	4	6	8											3.0 lbs.
112-1071	200-20053	Head (ft)	17	23	31											
112-1150	200-20128	GPM	10	12	16	18	23	27	31	34					9.0 lbs.	
112-1151	200-20129	Head (ft)	11	14	20	23	31	39	48	61						
112-1300	200-20194	GPM			88	93	110	123	140	155	162	172	186	29.0 lbs.		
112-1301	200-20195	Head (ft)			25	28	37	46	55	64	72	80	100			

Toll Free: 887.426.4622
Phone: 770.457.3000
Fax: 770.457.4225
www.hobbysfountains.com