

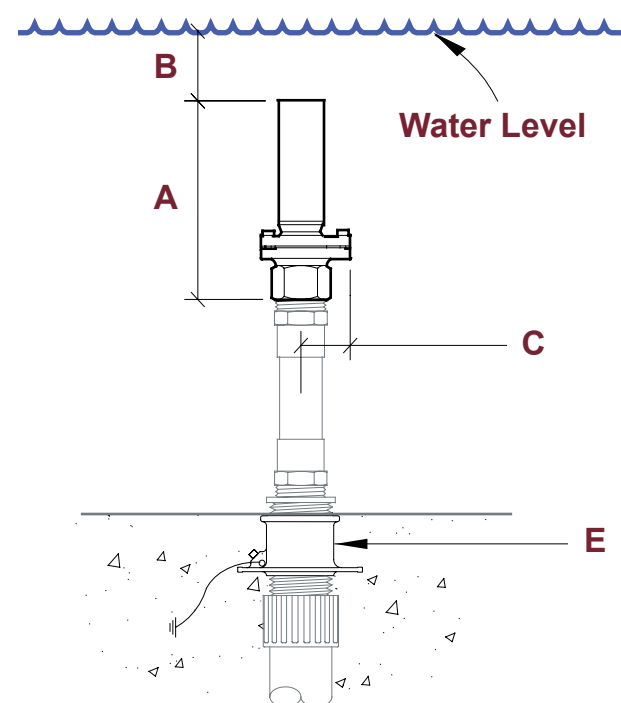


## 113 Series

### Bubbler Jet

#### Function:

The **113 Series Bubbler Jet** are positioned just below the water level, pushing massive amounts of aerated water to a height and width of 36", appearing as a solid, frothy mound of water. Mounting in groups or on spray rings, bars, grids, or a jet pod is particularly striking.



Size	A	B	C
3/4"	4"	2"	R1-1/4"
1-1/2"	7"	4"	R1-15/16"
3"	5-1/2"	4"	R3-15/16"

**Recommended accessories shown in drawing:**  
 (E) 276 Series Slab Penetration. Not shown but recommended: 486 Series Water Level Sensor, Surge/Baffle Collar.

#### Key Features:

- Adjustable to 15 degrees off vertical.
- Machined cast bronze construction, with stainless steel fasteners.
- Three connection sizes available: 3/4" 1-1/2" & 3".
- **Water level dependent.** Will require a constant water level above the orifice.

**#113-1070 Bubbler Jet:**  
 3/4" Solder connection; 1" orifice.

**#113-1071 Bubbler Jet:**  
 3/4" NPT connection; 1" orifice.

**#113-1150 Bubbler Jet:**  
 1-1/2" Solder connection; 1-1/2" orifice.

**#113-1151 Bubbler Jet:**  
 1-1/2" NPT connection; 1-1/2" orifice.

**#113-1300 Bubbler Jet:**  
 3" Solder connection; 3" orifice.

**#113-1301 Bubbler Jet:**  
 3" NPT connection; 3" orifice.



Model	Order #	Water Level	Flow Volume & Pressure	Spray Height					Shipping Weight
				12"	18"	24"	30"	36"	
113-1070	200-20056	2"	GPM	11	13	15			3.0 lbs.
113-1071	200-20057		Head (ft)	7	10	14			
			Dia.	10"	13"	17"			
113-1150	200-20132	4"	GPM	30	33	37	41		7.0 lbs.
113-1151	200-20133		Head (ft)	9	11	14	16		
			Dia.	12"	14"	18"	24"		
113-1300	200-20198	4"	GPM	65	70	76	81	87	21.0 lbs.
113-1301	200-20199		Head (ft)	7	10	13	16	20	
			Dia.	12"	15"	20"	25"	29"	

Toll Free: 887.426.4622  
 Phone: 770.457.3000  
 Fax: 770.457.4225  
[www.hobbsfountains.com](http://www.hobbsfountains.com)