

272 Series

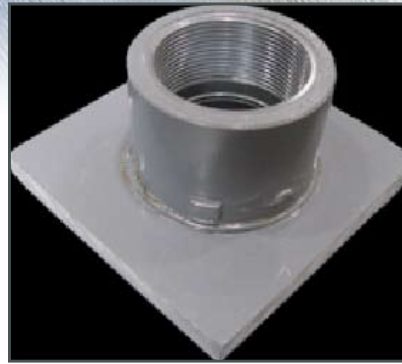
Slab Penetrations

Function:

The **272 Series PVC Slab Penetration** provides a female threaded, noncorrosive penetration through the pool floor or wall, terminating flush with the water-side surface.

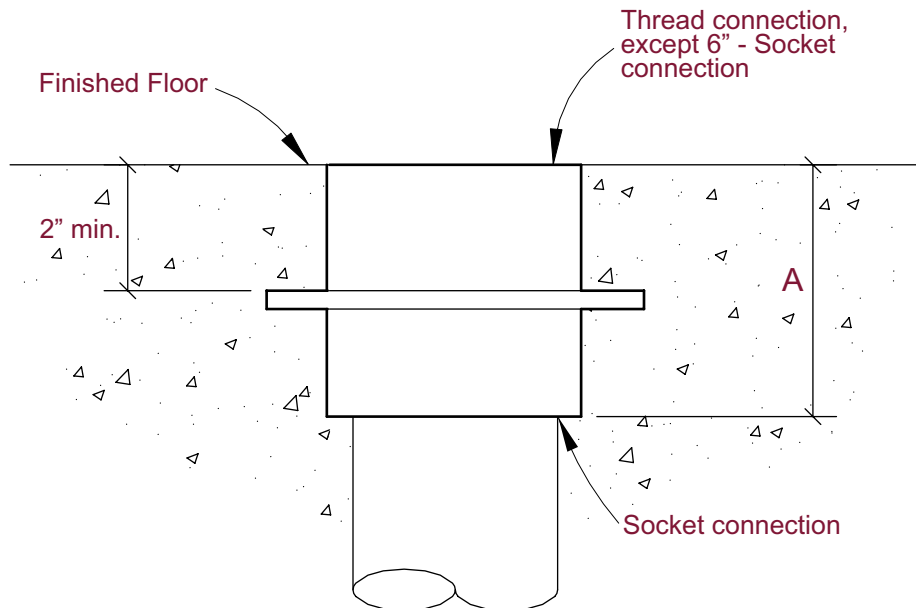
The PVC Slab Penetration has a wide range of functions at the pool end, including use as a suction or ballast point (in conjunction with various 230-series plates). The unit can also be used to install various spray effects.

Each slab penetration has a female NPT connection on one end and a socket connection on the other, except for the 6" size, which has a slip/socket connection on each end.



Key Features:

- Constructed of Sch 80 PVC.
- 1/4" thick PVC waterstop flange welded a minimum of 2" from the pool end.



#272-07 PVC Slab Penetration: 3/4" female NPT x socket connections.

#272-10 PVC Slab Penetration: 1" female NPT x socket connections.

#272-12 PVC Slab Penetration: 1-1/4" female NPT x socket connections.

#272-15 PVC Slab Penetration: 1-1/2" female NPT x socket connections.

#272-20 PVC Slab Penetration: 2" female NPT x socket connections.

#272-25 PVC Slab Penetration: 2-1/2" female NPT x socket connections.

#272-30 PVC Slab Penetration: 3" female NPT x socket connections.

#272-40 PVC Slab Penetration: 4" female NPT x socket connections.

#272-60 PVC Slab Penetration: 6" PVC pipe socket connections.

#272-00 PVC Slab Penetration: 10" female NPT x socket connections.

Model	Order #	Description	A	Shipping Weight
272-07	240-24211	3/4" PVC Slab Penetration, T x S	1 15/16"	0.5 lbs
272-10	240-24212	1" PVC Slab Penetration, T x S	2 3/16"	0.5 lbs
272-12	240-24213	1 1/4" PVC Slab Penetration, T x S		0.5 lbs
272-15	240-24214	1 1/2" PVC Slab Penetration, T x S		0.5 lbs
272-20	240-24215	2" PVC Slab Penetration, T x S	2 5/8"	1.0 lbs
272-25	240-24216	2 1/2" PVC Slab Penetration, T x S		1.0 lbs
272-30	240-24217	3" PVC Slab Penetration, T x S	4"	1.5 lbs
272-40	240-24218	4" PVC Slab Penetration, T x S	3 11/16"	2.0 lbs
272-60	240-24219	6" PVC Slab Penetration, S x S	6 1/4"	4.0 lbs
272-00	240-24736	10" PVC Slab Penetration, T x S	10 1/4"	6.0 lbs