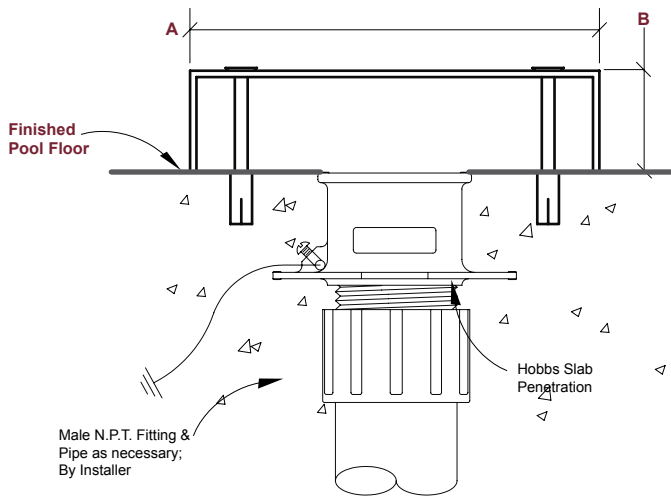


## 230 Series

### Anti-Vortex Plate

#### Function:

The **230 Series Stainless Steel Anti-Vortex/Diverter Plates** can be used for suction or discharge with a variety of in-ground fittings. It is ideal for applications where directional flow is desired. 276 Series Slab Penetration sold separately for #1 kits.



Typical Drop-In anchor installation.

#### Key Features:

- Constructed of high quality, stainless steel.
- Kit #1 - Secured to pool floor with stainless steel drop-in anchors and bolts.
- Kit #2 - Secured to pool floor with the use of 275 & 276 Series Slab Penetration.
- Perfect for tight spaces.

**6x3x2" Stainless Steel A/V-Diverter Plate only:**  
220-22018

**6x4x2" Stainless Steel A/V-Diverter Plate only:**  
220-22019

**6x6x2" Stainless Steel A/V-Diverter Plate only:**  
220-22020

**8x6x2" Stainless Steel A/V-Diverter Plate only:**  
220-22021

**8x8x2" Stainless Steel A/V-Diverter Plate only:**  
220-22022

**8x8x4" Stainless Steel A/V-Diverter Plate only:**  
220-22023

**9x8x4" Stainless Steel A/V-Diverter Plate only:**  
220-22024

**10x8x4" Stainless Steel A/V-Diverter Plate only:**  
220-22025

**10x10x4" Stainless Steel A/V-Diverter Plate only:**  
220-22026

**12x12x4" Stainless Steel A/V-Diverter Plate only:**  
220-22027

**12x18x4" Stainless Steel A/V-Diverter Plate only:**  
220-22028

**24x24x4" Stainless Steel A/V-Diverter Plate only:**  
220-22029

**RECOMMENDED PAIRING WITH HOBBS 275 & 276 SERIES SLAB PENETRATIONS**

Toll Free: 887.426.4622  
Phone: 770.457.3000  
Fax: 770.457.4225  
www.hobbsfountains.com

Model	Order #	Description	A	B	Shipping Weight
230-0603-K1	220-22062	S.S. Anti-Vortex Plate Kit #1	6" x 3"	2"	TBD
230-0603-K2	220-22063	S.S. Anti-Vortex Plate Kit #2 - 1.5" in slab	6" x 3"	2"	TBD
230-0604-K1	220-22064	S.S. Anti-Vortex Plate Kit #1	6" x 4"	2"	TBD
230-0604-K2	220-22065	S.S. Anti-Vortex Plate Kit #2 - 1.5" in slab	6" x 4"	2"	TBD
230-0606-K1	220-22066	S.S. Anti-Vortex Plate Kit #1	6" x 6"	2"	TBD
230-0606-K2	220-22067	S.S. Anti-Vortex Plate Kit #2 - 1.5" in slab	6" x 6"	2"	TBD
230-0806-K1	220-22068	S.S. Anti-Vortex Plate Kit #1	8" x 6"	2"	TBD
230-0806-K2	220-22069	S.S. Anti-Vortex Plate Kit #2 - 2" in slab	8" x 6"	2"	TBD
230-0882-K1	220-22070	S.S. Anti-Vortex Plate Kit #1	8" x 8"	2"	TBD
230-0882-K2	220-22071	S.S. Anti-Vortex Plate Kit #2 - 2" in slab	8" x 8"	2"	TBD
230-0884-K1	220-22072	S.S. Anti-Vortex Plate Kit #1	8" x 8"	4"	TBD
230-0884-K2	220-22073	S.S. Anti-Vortex Plate Kit #2 - 2" in slab	8" x 8"	4"	TBD
230-0908-K1	220-22074	S.S. Anti-Vortex Plate Kit #1	9" x 8"	4"	TBD
230-0908-K2	220-22075	S.S. Anti-Vortex Plate Kit #2 - 2" in slab	9" x 8"	4"	TBD
230-1008-K1	220-22076	S.S. Anti-Vortex Plate Kit #1	10" x 8"	4"	TBD
230-1008-K2	220-22077	S.S. Anti-Vortex Plate Kit #2 - 3" in slab	10" x 8"	4"	TBD
230-1010-K1	220-22078	S.S. Anti-Vortex Plate Kit #1	10" x 10"	4"	TBD
230-1010-K2	220-22079	S.S. Anti-Vortex Plate Kit #2 - 3" in slab	10" x 10"	4"	TBD
230-1212-K1	220-22080	S.S. Anti-Vortex Plate Kit #1	12" x 12"	4"	TBD
230-1212-K2	220-22081	S.S. Anti-Vortex Plate Kit #2 - 4" in slab	12" x 12"	4"	TBD
230-1218-K1	220-22082	S.S. Anti-Vortex Plate Kit #1	12" x 18"	4"	TBD
230-1218-K2	220-22083	S.S. Anti-Vortex Plate Kit #2 - 4" in slab	12" x 18"	4"	TBD
230-2424-K1	220-22084	S.S. Anti-Vortex Plate Kit #1	24" x 24"	4"	TBD
230-2424-K2	220-22085	S.S. Anti-Vortex Plate Kit #2 - 4" in slab	24" x 24"	4"	TBD

#1 Kits DO NOT include slab penetrations.