

422 Series

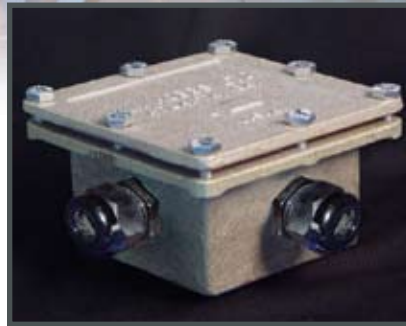
Junction Box

Function:

The **422 Series Submersible Junction Box** is designed for the connection of submersible pumps, lights, and other cord-equipped electrical devices to 120 volt conduit systems.

The standard 422 Series Junction Box is supplied with one 3/4" female NPT bottom conduit entry for mounting onto a brass conduit (our 464 Series Into-Pool Conduit Assembly is recommended) extending at least 2" above the pool floor.

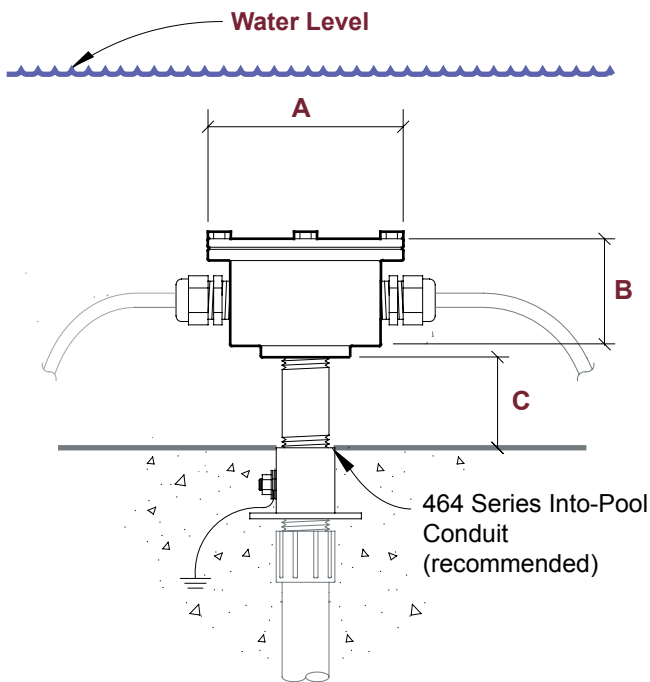
The box has four 1/2" side taps and includes four 452-3231 Cord Seals and three 1/2" plugs.



Key Features:

- 18 cubic inch internal volume.
- Cast bronze construction with stainless steel fasteners and internal ground screws.
- Includes neoprene cover gasket.
- 3/4" female NPT bottom conduit entry.
- Custom size side taps available.

#422-24CS Junction Box: (4) 1/2" NPT cord seal taps, (1) 3/4" NPT bottom conduit tap. Includes (4) #452-3231 Cord Seals and (3) plugs.



Model	A	B	C
All	4-3/8"	2-5/8"	2"

Model	Order #	Description	Shipping Weight
422-24CS	270-27233	Submersible Junction Box	7.5 lbs