

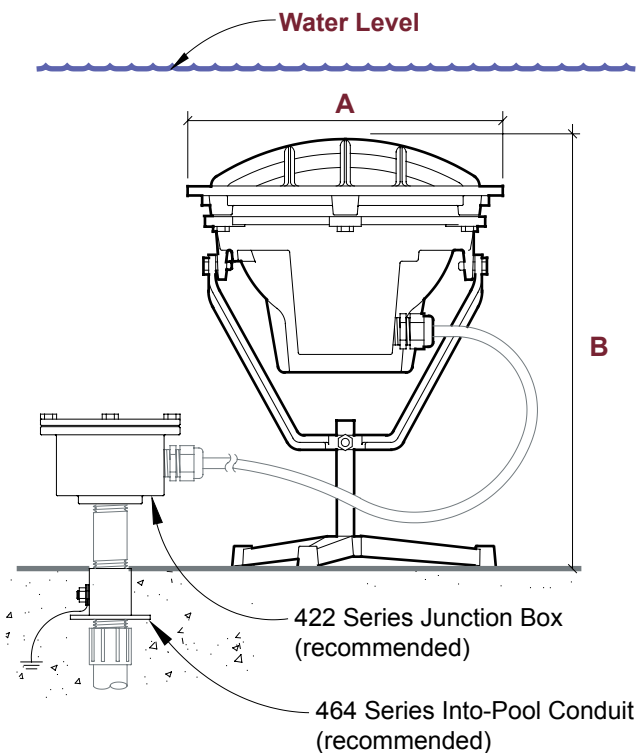
## 418 Series

### Light Fixture

#### Function:

The **418 Series Submersible Light Fixture** is a free-standing light that can be configured for optimum lighting of any fountain design. It is available in either 120 volt/500 maximum watt configuration, or 12 volt/300 maximum watt configuration.

The 120 volt/500 maximum watt fixture uses a PAR 56, mogul-end prong lamp. The low voltage fixture uses a screw terminal, 12 volt/300 watt lamp. Both lamps are available in a range of configurations.



Model	A	B
All	9- 7/8" DIA	10-1/4" to 14-1/2"

#### Key Features:

- 120 or 12 Volt versions.
- Constructed of natural finish cast brass with stainless steel fasteners.
- Lens is tempered, clear glass. Colored lenses available.
- Includes silicone rubber lens gasket.
- 10' of underwater cable included.
- Brass swivel yoke and adjustable tripod assembly available.
- Lamp not included.
- All models include a thermostat to protect internal components.
- UL Listed

#### #418-5T Submersible

**Light:** Uses PAR 56, 500 Watt maximum, 120 Volt lamps. Includes 10' of 16/3 underwater cable.

#### #418-6T Submersible

**Light:** Same as #418-5 with the addition of a brass swivel yoke, stem, and tripod assembly.

#### #418-5LV Submersible

**Light:** Uses screw terminal, 300 Watt, 12 Volt lamps. Includes 10' of 10/3 underwater cable.

#### #418-6LV Submersible

**Light:** Same as #418-5LV with the addition of a brass swivel yoke, stem, and tripod assembly.

#### #418D-5 Wet/Dry Light:

Same as #418-5T but uses a 300 Watt, 120 Volt lamp.

#### #418D-6 Wet/Dry Light:

Same as #418D-5 with the addition of a brass swivel yoke, stem, and tripod assembly.

Model	Order #	Description	Shipping Weight
418-5T	270-27137	Submersible, Free Standing Light Fixture: 500 Watt, 120 Volt	22.0 lbs
418-6T	270-27157	Submersible, Free Standing Light Fixture: 500 Watt, 120 Volt with Tripod Stand	24.0 lbs
418-5LV	270-27147	Submersible, Free Standing Light Fixture: 300 Watt, 12 Volt	23.0 lbs
418-6LV	270-27167	Submersible, Free Standing Light Fixture: 300 Watt, 12 Volt with Tripod Stand	25.0 lbs
418D-5	270-27142	Wet/Dry, Free Standing Light Fixture: 300 Watt, 120 Volt	25.0 lbs
418D-6	270-27162	Wet/Dry, Free Standing Light Fixture: 300 Watt, 120 Volt with Tripod Stand.	25.0 lbs

Toll Free: 887.426.4622  
Phone: 770.457.3000  
Fax: 770.457.4225  
www.hobbysfountains.com