

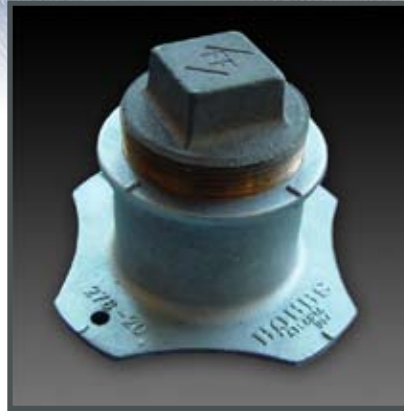
276 Series

Drain Fittings

Function:

The **276 Series Stainless Steel Slab Penetration** is used in this assembly. A bronze threaded plug is fitted to the slab penetration. This plug can easily be removed to allow water to drain from a fountain pool.

* Hobbs 275 Series Stainless Steel Slab Penetrations are used for 3" and 4" pipe connections.



Key Features:

- Constructed of high quality, investment cast stainless steel and cast bronze.
- Integrated waterstop flange and bonding screw.
- Includes installation aids like anchor holes and cast-in registration marks.

#276-071 Stainless Steel Slab Penetration with Bronze Plug: 3/4" female NPT connections.

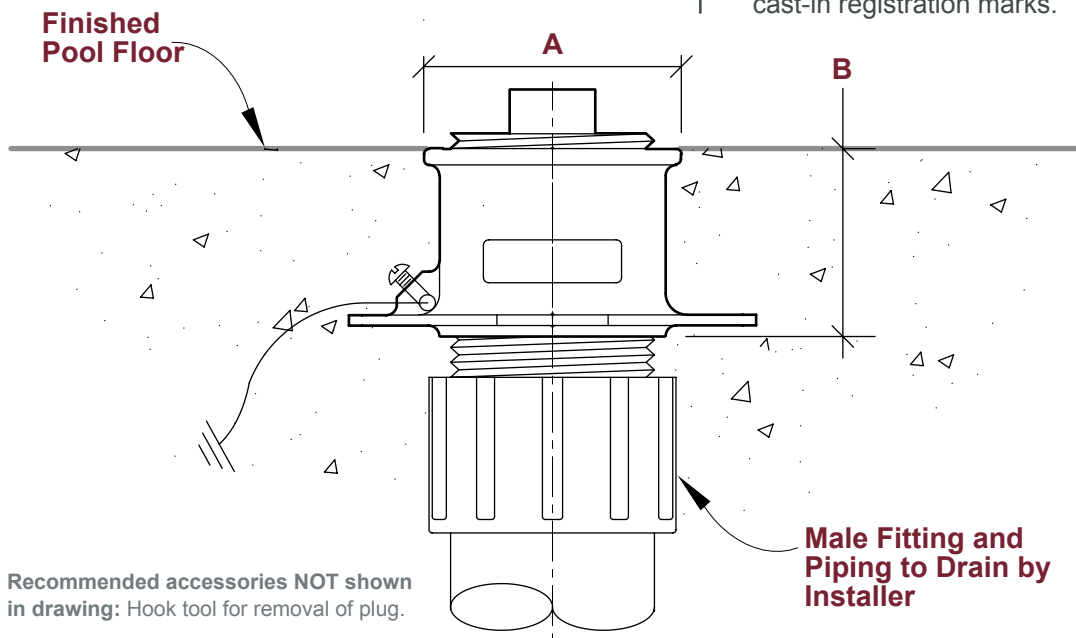
#276-101 Stainless Steel Slab Penetration with Bronze Plug: 1" female NPT connections.

#276-151 Stainless Steel Slab Penetration with Bronze Plug: 1-1/2" female NPT connections.

#276-201 Stainless Steel Slab Penetration with Bronze Plug: 2" female NPT connections.

#275-301 Stainless Steel Slab Penetration with Bronze Plug: 2" female NPT connections.

#275-401 Stainless Steel Slab Penetration with Bronze Plug: 2" female NPT connections.



Recommended accessories NOT shown in drawing: Hook tool for removal of plug.

Male Fitting and Piping to Drain by Installer

Model	Order #	Description	A	B	Shipping Weight
276-071	240-24333	3/4" S.S. Drain Fitting w/ Bronze Plug, FNPT	1-7/16"	1-9/16"	7.8 oz
276-101	240-24334	1" S.S. Drain Fitting w/ Bronze Plug, FNPT	1-13/16"	1-11/16"	10.1 oz
276-151	240-24335	1-1/2" S.S. Drain Fitting w/ Bronze Plug, FNPT	2-1/2"	1-7/8"	1 lb 5 oz
276-201	240-24336	2" S.S. Drain Fitting w/ Bronze Plug, FNPT	3"	2-3/16"	2 lb 2 oz
275-301	240-24344	3" S.S. Drain Fitting w/ Bronze Plug, FNPT	3-7/8"	2-7/8"	3 lb
275-401	240-24345	4" S.S. Drain Fitting w/ Bronze Plug, FNPT	5-1/8"	3-1/4"	6 lb

Toll Free: 887.426.4622
 Phone: 770.457.3000
 Fax: 770.457.4225
www.hobbsfountains.com