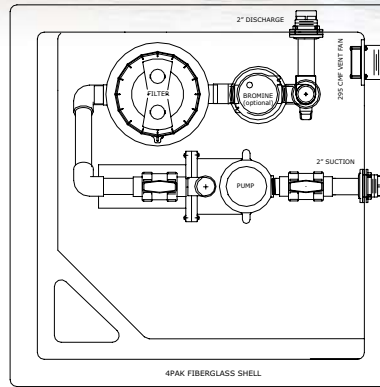




Function:

The **610e Silver Series Cartridge Filter System** is identical to the 610e Bronze Series underground vault cartridge filter system with the exception of using schedule 80 PVC piping, fittings, and true union ball valves. It features high quality components and reliable construction all housed in a water tight, fiberglass vault with aluminum access hatch. *This system can be housed in a 4PAK or 6PAK vault. (4PAK shown)*



610e Pumping Options -

- Hobbs 315-44: 1/2 through 3 HP Series Centrifugal Pump. 1 or 3 phase power
or
- Hobbs 320-HP: 5 HP Centrifugal Pump. 3 phase power
- 115/208-230/460V available. Installer must provide additional 120V line for 460V systems
- Basket strainer included

610e Filtration System -

- Hobbs 350-15 Series Clean & Clear Cartridge Filter, NSF Listed
- 75 GPM max through filter, system includes bypass line for remainder of flow
- Chemical resistant tank
- 1" drain wash-out

Chemical Treatment (Optional) -

- Hobbs 360e-BS Brominator Assembly
- 25,000 gallon capacity
- 60 GPM max through brominator, system includes bypass line for remainder of flow
- Standard system includes selected PAK size, selected pump size, cartridge filter. Sump pump is standard with 6PAK, optional with 4PAK.
- Bulkhead fittings are placed at suction and discharge points on PAK walls for installer piping to fountain.
- Control panel requirements vary depending on pump selection. A control panel is required for all systems.

PUMP INFORMATION:

1/2 HP; 1 Phase; 115/208-230V; Delivers 76 GPM at 30 feet of head, 55 GPM at 50 feet of head, 16 GPM at 70 feet of head.

1/2 HP; 3 Phase; 208-230/460V; Delivers 77 GPM at 30 feet of head, 55 GPM at 50 feet of head, and 37 feet of head at 70 GPM.

3/4 HP; 1 Phase; 115/208-230V; Delivers 88 GPM at 30 feet of head, 71 GPM at 50 feet of head, and 47 GPM at 70 feet of head.

3/4 HP; 3 Phase; 208-230/460V; Delivers 88 GPM at 30 feet of head, 70 GPM at 50 feet of head, and GPM at 70 feet of head.

1 HP; 1 Phase; 115/208-230 V; Delivers 100 GPM at 40 feet of head, 76 GPM at 60 feet of head, and 42 GPM at 80 feet of head.

1 HP; 3 Phase; 208-230/460V; Delivers 110 GPM at 30 feet of head, 90 GPM at 50 feet of head, and 63 GPM at 70 feet of head.

1-1/2 HP; 1 Phase; 208-230V; Delivers 110 GPM at 50 feet of head, 85 GPM at 70 feet of head, and 66 GPM at 80 feet of head.

1-1/2 HP; 3 Phase; 208-230/460V; Delivers 130 GPM at 30 feet of head, 110 GPM at 50 feet of head, and 85 GPM at 70 feet of head.

2 HP; 1 Phase; 208-230V; Delivers 125 GPM at 50 feet of head, 97 GPM at 70 feet of head, and 78 GPM at 80 feet of head.

2 HP; 3 Phase; 208-230/460V; Delivers 150 GPM at 30 feet of head, 125 GPM at 50 feet of head, and 98 GPM at 70 feet of head.

3 HP; 1 Phase; 208-230V; Delivers 141 GPM at 60 feet of head, 110 GPM at 80 feet of head, and 50 GPM at 100 feet of head.

3 HP; 3 Phase; 208-230/460V; Delivers 160 GPM at 50 feet of head, 130 GPM at 70 feet of head, and 90 GPM at 90 feet of head.

5 HP; 3 Phase; 208-230/460V; Delivers 195 GPM at 60 feet of head, 155 GPM at 80 feet of head, 100 GPM at 95 feet of head.

Toll Free: 887.426.4622
Phone: 770.457.3000
Fax: 770.457.4225
www.hobbsfountains.com

Model	Order #	Description	Suct.	Disch.
610e-005-1-S	680-69661	Silver Series, 1/2 HP, 1φ, Cartridge Filter System for ePAK	One 2"	Two 2"
610e-005-3-S	680-69662	Silver Series, 1/2 HP, 3φ, Cartridge Filter System for ePAK	One 2"	Two 2"
610e-007-1-S	680-69663	Silver Series, 3/4 HP, 1φ, Cartridge Filter System for ePAK	One 2"	Two 2"
610e-007-3-S	680-69664	Silver Series, 3/4 HP, 3φ, Cartridge Filter System for ePAK	One 2"	Two 2"
610e-010-1-S	680-69665	Silver Series, 1 HP, 1φ, Cartridge Filter System for ePAK	One 2"	Two 2"
610e-010-3-S	680-69666	Silver Series, 1 HP, 3φ, Cartridge Filter System for ePAK	One 2"	Two 2"
610e-015-1-S	680-69667	Silver Series, 1 1/2 HP, 1φ, Cartridge Filter System for ePAK	One 2"	Two 2"
610e-015-3-S	680-69668	Silver Series, 1 1/2 HP, 3φ, Cartridge Filter System for ePAK	One 2"	Two 2"
610e-020-1-S	680-69669	Silver Series, 2 HP, 1φ, Cartridge Filter System for ePAK	One 2"	Two 2"
610e-020-3-S	680-69670	Silver Series, 2 HP, 3φ, Cartridge Filter System for ePAK	One 2"	Two 2"
610e-030-1-S	680-69671	Silver Series, 3 HP, 1φ, Cartridge Filter System for ePAK	One 2"	Two 2"
610e-030-3-S	680-69672	Silver Series, 3 HP, 3φ, Cartridge Filter System for ePAK	One 2"	Two 2"
610e-051-3-S	680-69673	Silver Series, 5 HP, 3φ, Cartridge Filter System for ePAK	One 3"	Two 3"

Optional Equipment				
360e-BS	680-69619	Brominator Assembly	N/A	N/A
600-1304	610-61111	Sump Pump Assembly	N/A	N/A