



143-07 Series

Clearstream Jet

Function:

The **143-07 Series Clearstream Jet** creates a clean, smooth stream of water. With spray heights reaching 20', the 143 series is adjustable to 15 degrees off vertical allowing flexibility in patterns of spray and throw. The jet is available with either a 1/4" or 3/8" orifice, and a 3/4" NPT or Solder connection inlet.

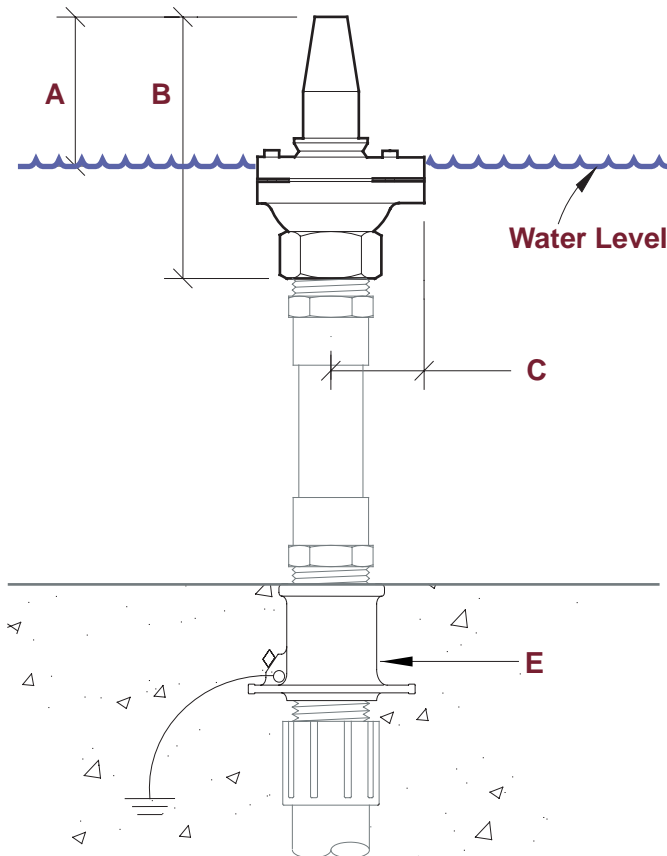


#143-25070 Clearstream Jet: 1/4" orifice, 3/4" Solder connection.

#143-25071 Clearstream Jet: 1/4" orifice, 3/4" NPT connection.

#143-37070 Clearstream Jet: 3/8" orifice, 3/4" Solder connection.

#143-37071 Clearstream Jet: 3/8" orifice, 3/4" NPT connection.



Key Features:

- 3/4" female NPT or Solder connection inlet.
- Two orifice sizes available: 1/4", or 3/8".
- Adjustable to 15 degrees off vertical.
- Machined from high-quality, noncorrosive brass.
- Suction screening or 100% filtration required.
- **Water level independent.**

Size	A	B	C
ALL	2" MIN	3-1/2"	R1-1/4"

Recommended accessories shown in drawing: (E) 276 Series Slab Penetration.



Model	Order # 200-	Flow Volume	Spray Height											Shipping Weight	
			1'	2'	3'	4'	5'	6'	7'	8'	9'	10'	15'		20'
143-25070	20059	GPM	1.2	1.7	2.1	2.4	2.7	2.9	3.2	3.4	3.6	3.8	4.7	5.4	3.0 lbs
143-25071	20060	GPM													
143-37070	20061	GPM	2.7	3.8	4.7	5.4	6.1	6.6	7.2	7.7	8.1	8.6	10.5	12.1	
143-37071	20062	GPM													
All Models		Head (ft)	1.4	2.8	4.2	5.6	7	8.4	9.8	11.2	12.6	14	20	27	

Toll Free: 1.877.426.4622
 Phone: 770.457.3000
 Fax: 770.457.4225
www.hobbsfountains.com