

236 Series

Sump

Function:

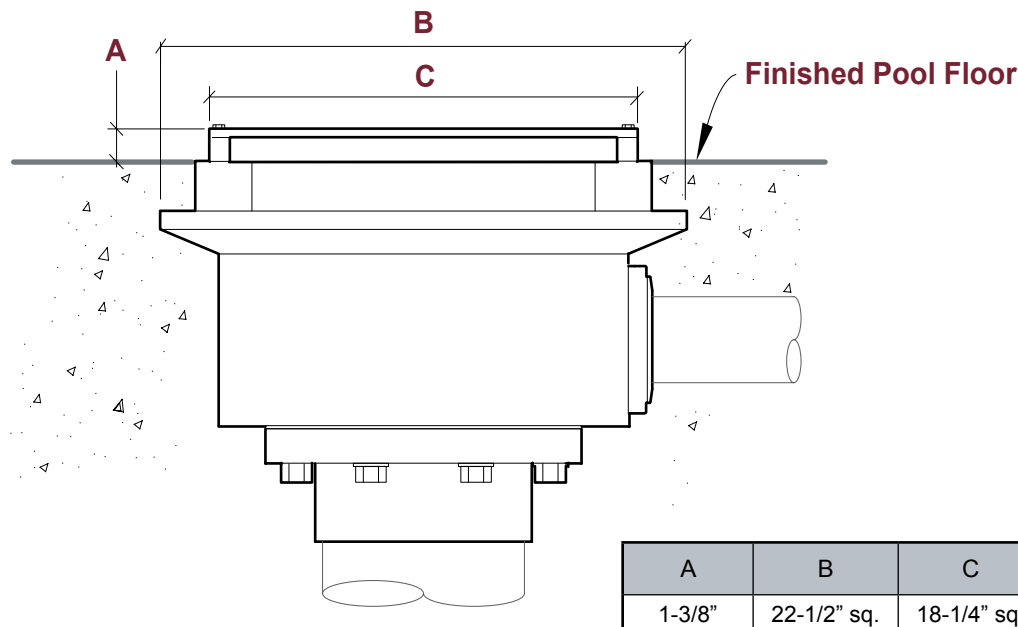
The **236 Series Sump** is our largest sump and is installed flush in the pool floor. The sump can serve a number of functions, but is typically used in one of the following ways:

- 1. Suction Sump** - When used as a suction sump, the fitting prevents vortexing by forcing water to circulate across the pool floor. Vortexing allows air to enter the suction line, eventually shortening the pump life. Also, the improved water circulation caused by the sump helps keep the pool floor clean.
- 2. Ballast Fitting** - The sump may be used as a ballast fitting for waterfalls, or as a dump line in fountains with our 492-Series Wind Compensation System.
- 3. Equalizer Fitting** - The sump may be used as an equalizer between pools with equal water levels.



Key Features:

- Body is roto-molded black polyethylene and includes integral waterstop flange.
- Body includes two formed-in 1/4"-20 female thread brass inserts on top surface for attachment of anti-vortex/diverter plate.
- Diverter plate is cast bronze with lip allowing installation of thin-set tile.



#236-105 Sump: Side 3" PVC connection.

#236-130 Sump: Bottom 3" PVC connection.

#236-131 Sump: Bottom 3" & Side 2" PVC connections.

#236-132 Sump: Side & Bottom 3" PVC connections.

#236-133 Sump: Two Bottom 3" PVC connections.

#236-135 Sump: Bottom & Side 3" PVC connections.

#236-140 Sump: Bottom 4" PVC connections.

#236-141 Sump: Bottom 4" & Side 2" PVC connections.

#236-142 Sump: Bottom 4" & 2" PVC connections.

#236-143 Sump: Bottom 4" & 2" PVC connections.

#236-144 Sump: Two Bottom 4" PVC connections.

#236-145 Sump: Bottom 4" & Side 3" PVC connections.

#236-160 Sump: Bottom 6" PVC connection.

#236-161 Sump: Bottom 6" & Side 2" PVC connections.

#236-162 Sump: Bottom 6" & 2" PVC connections.

#236-163 Sump: Bottom 6" & 3" PVC connections.

#236-164 Sump: Bottom 6" & 4" PVC connections.

#236-165 Sump: Bottom 6" & Side 3" PVC connections.

#236-180 Sump: Bottom 8" PVC connection.

#236-181 Sump: Bottom 8" & Side 2" PVC connections.

#236-182 Sump: Bottom 8" & 2" PVC connections.

#236-183 Sump: Bottom 8" & 3" PVC connections.

#236-185 Sump: Bottom 8" & Side 3" PVC connections.

Model	Order # 240-	Model	Order # 240-	Model	Order # 240-	Model	Order # 240-	Shipping Weight
236-105	24560	236-140	24566	236-160	24572	236-180	24578	4.0 - 8.0 lbs
236-130	24561	236-141	24567	236-161	24573	236-181	24579	
236-131	24562	236-142	24568	236-162	24574	236-182	24580	
236-132	24563	236-143	24569	236-163	24575	236-183	24581	
236-133	24564	236-144	24570	236-164	24576	236-185	24521	
236-135	24565	236-145	24571	236-165	24577			

Toll Free: 887.426.4622
 Phone: 770.457.3000
 Fax: 770.457.4225
www.hobbsfountains.com