



## 120 Series

### Frothy Foam Jet

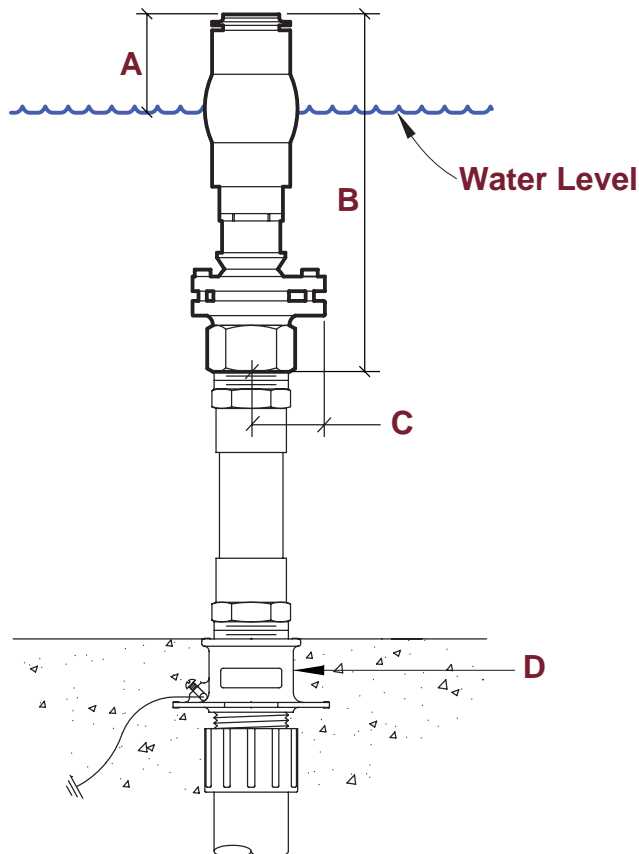
#### Function:

The **120 Series Frothy Foam Jet** produces a frothy white stream of water which is thick and can be lighted with wonderful results. When mounted in groups, on spray rings, bars, grids, or in our flush mount cans, this jet is particularly striking.



**#120-1150 Frothy Foam Jet:** 1 1/2" Solder connection; 1-3/16" orifice.

**#120-1151 Frothy Foam Jet:** 1 1/2" NPT connection, 1-3/16" orifice.



#### Key Features:

- Adjustable to 15 degrees off vertical.
- Stainless Steel, plastic and machined cast bronze construction, with stainless steel fasteners.
- **Water level independent.** Jet can be placed in water or above water level without affecting performance.

Size	A	B	C
1-1/2"	3"	9-1/8"	R1-15/16"

**Recommended accessories shown in drawing:**  
 (D) 276 Series Slab Penetration. Not shown but recommended: 486 Series Water Lever Sensor, Surge/Baffle Collar.

Model	Order #	Flow Volume & Pressure	Spray Height						Shipping Weight	
			1'	1.5'	2'	2.5'	3'	4'		6'
120-1150	200-22020	GPM	13	14	16	18	21	23	29	7.0 lbs.
		Head (ft)	4	6	7	8	9	10	12	
120-1151	200-22021	Splash Dia.	10"	12"	16"	20"	22"	24"	24"	

Toll Free: 1.877.426.4622  
 Phone: 770.457.3000  
 Fax: 770.457.4225  
[www.hobbsfountains.com](http://www.hobbsfountains.com)