



112 Series

Aeration Jet

Function:

The **112 Series Aeration Jet** produces a tight, frothy column of water. It is attractive in any setting, particularly when installed with underwater lighting. The effect is spectacular when used in groups or mounted on spray rings, bars, grids or a jet pod.



#112-1070 Aeration Jet:
3/4" Solder connection; 1-1/4" orifice.

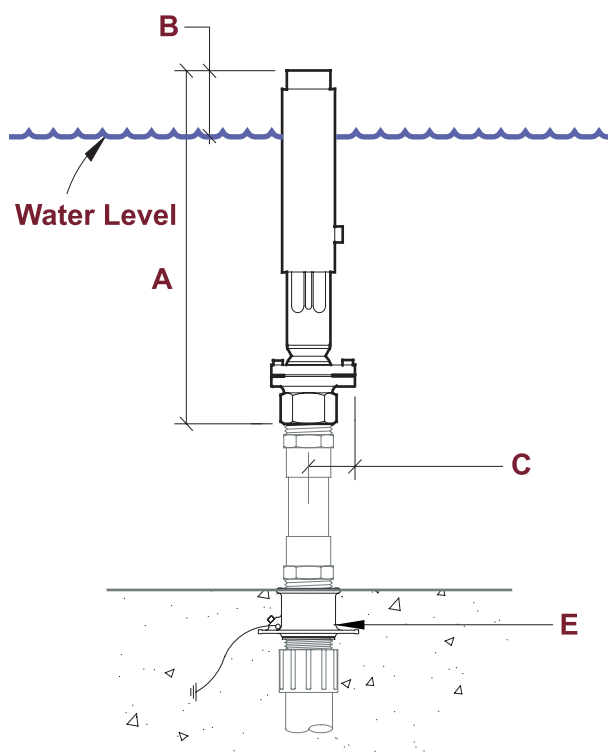
#112-1071 Aeration Jet:
3/4" NPT connection; 1-1/4" orifice.

#112-1150 Aeration Jet:
1-1/2" Solder connection; 2-1/8" orifice.

#112-1151 Aeration Jet:
1-1/2" NPT connection; 2-1/8" orifice.

#112-1300 Aeration Jet:
3" Solder connection; 3" orifice.

#112-1301 Aeration Jet:
3" NPT connection; 3" orifice.



Key Features:

- Adjustable to 15 degrees off vertical.
- Machined cast bronze construction, with stainless steel fasteners.
- Three connection sizes available: 3/4", 1-1/2" & 3".
- The adjustable collar allows the ratio of air-to-water entrainment to be varied, changing the spray height as well as the frothiness of the column of water.
- **Water level dependent.** Will require a constant water level above the orifice.

| Size | A | B | C |
|--------|-----------|--------|-----------|
| 3/4" | 8-1/8" | 1-3/8" | R1-1/4" |
| 1-1/2" | 1'-1-1/2" | 2-1/2" | R1-15/16" |
| 3" | 1'-9-1/2" | 3" | R3-15/16" |

Recommended accessories shown in drawing:
(E) 276 Series Slab Penetration. Not shown but recommended: 486 Series Water Level Sensor.



| Model | Order # | Flow Volume & Pressure | Spray Height | | | | | | | | | | | Shipping Weight | | |
|----------|-----------|------------------------|--------------|----|----|-----|-----|-----|-----|-----|-----|-----|-----|-----------------|----------|----------|
| | | | 3' | 5' | 8' | 10' | 15' | 20' | 25' | 30' | 35' | 40' | 52' | | | |
| 112-1070 | 200-20052 | GPM | 4 | 6 | 8 | | | | | | | | | | | 3.0 lbs. |
| 112-1071 | 200-20053 | Head (ft) | 17 | 23 | 31 | | | | | | | | | | | |
| 112-1150 | 200-20128 | GPM | 10 | 12 | 16 | 18 | 23 | 27 | 31 | 34 | | | | | 9.0 lbs. | |
| 112-1151 | 200-20129 | Head (ft) | 11 | 14 | 20 | 23 | 31 | 39 | 48 | 61 | | | | | | |
| 112-1300 | 200-20194 | GPM | | | 88 | 93 | 110 | 123 | 140 | 155 | 162 | 172 | 186 | 29.0 lbs. | | |
| 112-1301 | 200-20195 | Head (ft) | | | 25 | 28 | 37 | 46 | 55 | 64 | 72 | 80 | 100 | | | |

Toll Free: 1.877.426.4622
Phone: 770.457.3000
Fax: 770.457.4225
www.hobbsfountains.com