

## 276 Series

### Slab Penetrations

#### Function:

The **276 Series Stainless Steel Slab Penetration** provides a female threaded, noncorrosive penetration through the pool floor or wall, terminating flush with the water-side surface.

The threaded ends of the fitting allow for a wide range of piping materials to be used at the pipe connection end, and a wide range of functions at the pool end, including use as a suction or ballast point (in conjunction with various 230-Series plates), and to install various spray effects.

\* Hobbs 275 Series Stainless Steel Slab Penetrations are used for 3", 4" & 6" pipe connections.



#### Key Features:

- Constructed of high quality stainless steel.
- Integrated waterstop flange and bonding screw.
- Includes installation aids like anchor holes and cast-in registration marks.

**#276-07 Stainless Steel Slab Penetration:** 3/4" female NPT connections.

**#276-10 Stainless Steel Slab Penetration:** 1" female NPT connections.

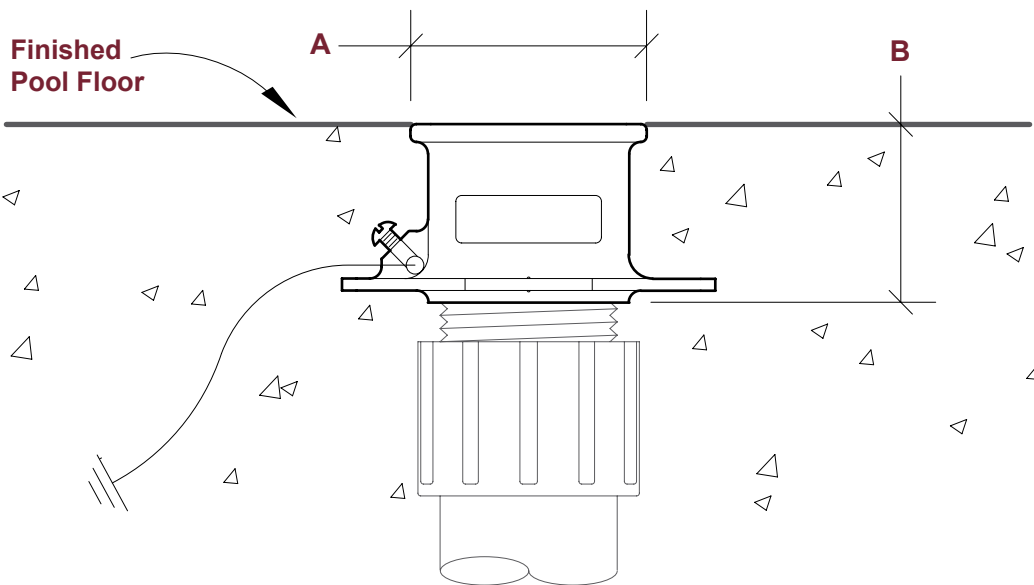
**#276-15 Stainless Steel Slab Penetration:** 1-1/2" female NPT connections.

**#276-20 Stainless Steel Slab Penetration:** 2" female NPT connections.

**#275-30 Stainless Steel Slab Penetration:** 3" female NPT connections.

**#275-40 Stainless Steel Slab Penetration:** 4" female NPT connections.

**#275-60 Stainless Steel Slab Penetration:** 6" female NPT connections.



Model	Order #	Description	A	B	Shipping Weight
276-07	240-24380	3/4" Investment Cast, Stainless Steel, Female N.P.T. Slab Penetration.	1-7/16"	1-9/16"	7.1 oz.
276-10	240-24381	1" Investment Cast, Stainless Steel, Female N.P.T. Slab Penetration.	1-13/16"	1-11/16"	9.4 oz.
276-15	240-24382	1-1/2" Investment Cast, Stainless Steel, Female N.P.T. Slab Penetration.	2-1/2"	2-1/16"	15.8 oz.
276-20	240-24383	2" Investment Cast, Stainless Steel, Female N.P.T. Slab Penetration.	3"	2-3/16"	1 lb. 5 oz.
275-30	240-24306	3" Stainless Steel, Female N.P.T. Slab Penetration, welded assembly	3-7/8"	2-3/4"	3 lb.
275-40	240-24307	4" Stainless Steel, Female N.P.T. Slab Penetration, welded assembly	5-1/8"	3-1/4"	6 lb.
275-60	240-24664	6" Stainless Steel, Female N.P.T. Slab Penetration, welded assembly	7-1/2"	4-13/16"	8 lb.

Toll Free: 887.426.4622  
 Phone: 770.457.3000  
 Fax: 770.457.4225  
[www.hobbsfountains.com](http://www.hobbsfountains.com)