

418 Prisma Series

LED Light Fixture

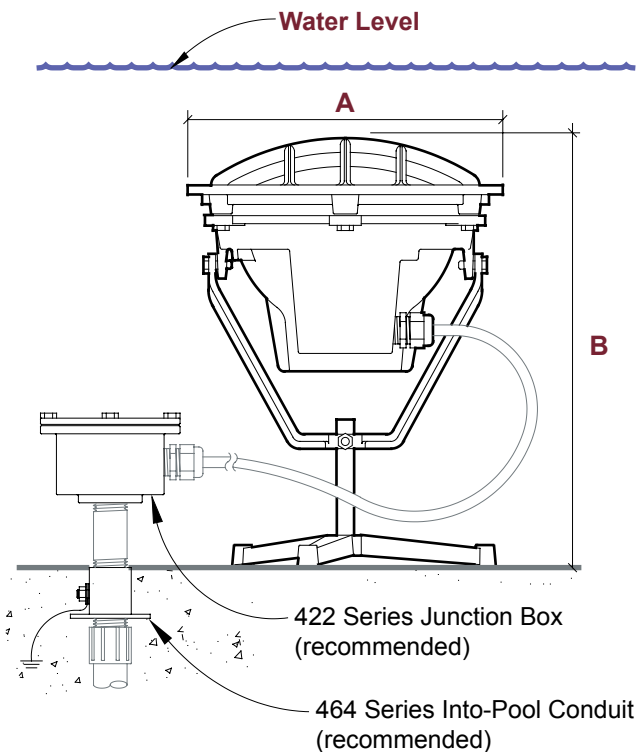
Function:

The **418 Prisma Series Submersible Light Fixture** is a free-standing light that can be configured for optimum lighting of any fountain design. It features fully programmable LED lighting technology. 18 high output bulbs are capable of producing of 16.7 million additive colors. Individual Red, Blue, and Green bulbs change intensities to create any color imaginable.



#418-5 Prisma Submersible Light:
Includes 10' of 16/3 underwater cable.

#418-6 Prisma Submersible Light: Same as #418-5 Prisma with the addition of a brass swivel yoke, stem, and tripod assembly.



Model	A	B
All	9- 7/8" DIA	10-1/4" to 14-1/2"

Key Features:

- 24V, 25W max when set to full white.
- Constructed of natural finish cast brass with stainless steel fasteners.
- Lens is tempered, clear glass.
- Includes silicone rubber lens gasket.
- 10' of underwater cable included.
- Brass swivel yoke and adjustable tripod assembly available.
- All models include a thermostat to protect internal components.
- UL listing pending

Model	Order #	Description	Shipping Weight
418-5 Prisma	270-27926	Submersible, Free Standing LED Light Fixture	22.0 lbs
418-6 Prisma	270-27931	Submersible, Free Standing LED Light Fixture: with Tripod Stand	24.0 lbs

Accessories / Notes: These fixtures must be used in conjunction with a PDS-150e (up to 6 fixtures) or PDS-60 (up to 2 fixtures) power supply (not shown). Other accessories include a iPlayer3 and a Controller Keypad.

Every project is different and thus, so are the lighting requirements. Please contact a Hobbs Sales Representative for assistance when specifying these parts.