

486 Series

Level Control Sensor

Function:

The **486 Stainless Steel Water Level Sensor** provides a safe method of electronically maintaining the fountain water level and providing low-water protection for submersible electrical equipment and/or fountain pumps, as required by the National Electric Code, Article 680. The sensor is made of stainless steel, and is mounted on the wall of pools.

When the water level drops, the Water Level Sensor and Monitor will signal the solenoid valve to open and refill the pool to the required level. If the solenoid valve is not notified and/or the water level continues to drop, the Low-Water Cut Off Sensor and Monitor will shut-off the electrical equipment (pumps and underwater lights). Both functions automatically return the controlled items to "normal" operating mode upon restoration of the proper water level.

The system utilizes solid state monitors and noncorroding sensors with stainless steel probes, resulting in no moving parts. Both the level control and cutoff functions are combined into one pool-mounted sensor with two probes. We normally provide these systems as part of a pre-assembled and tested package, with the appropriate monitor(s), relays and breakers built into the control panel for the fountain.



Key Features:

- 16-gauge stainless steel, in-wall mounted enclosure with 1" FNPT conduit side connection and bonding stud.
- Probe assembly consists of a 1" MNPT PVC body, two stainless steel probes; and a brass nameplate/ common probe.
- Includes #18/3 Type SJTO PVC-jacketed cord, epoxy-sealed into the probe assembly.
- Requires our #487-3 monitor and solenoid-type fill valve.

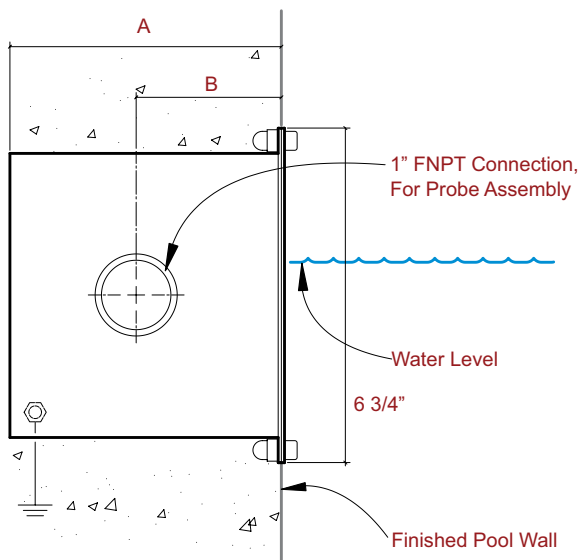
#486-200A Water Level Sensor: 1" sensor connection; 50 feet of #18/3 Type SJTO cord.

#486-200B Water Level Sensor: 1" sensor connection; 100 feet of #18/3 Type SJTO cord.

#486-200C Water Level Sensor: 1" sensor connection; 150 feet of #18/3 Type SJTO cord.

#486-200D Water Level Sensor: 1" sensor connection; 200 feet of #18/3 Type SJTO cord.

#486-200E Water Level Sensor: 1" sensor connection; 250 feet of #18/3 Type SJTO cord.



Model	A	B
All	5-3/8"	2-7/8"

Model	Order #	Description	Shipping Weight
486-200A	270-27901	Water Level Sensor with 50 Feet #18/3 Cord.	9.0 lbs
486-200B	270-27902	Water Level Sensor with 100 Feet #18/3 Cord.	12.0 lbs
486-200C	270-27903	Water Level Sensor with 150 Feet #18/3 Cord	15.0 lbs
486-200D	270-27904	Water Level Sensor with 200 Feet #18/3 Cord	17.0 lbs
486-200E	270-27905	Water Level Sensor with 250 Feet #18/3 Cord	20.0 lbs

Toll Free: 887.426.4622
 Phone: 770.457.3000
 Fax: 770.457.4225
www.hobbsfountains.com