



Function:

Perfect for quiet, intimate settings, the **131 Series Bell Jet** produces a delicate, transparent sheet of shimmering water in a dome or bell-shaped pattern. Bell Jets are ideal for offices, malls, and gardens.



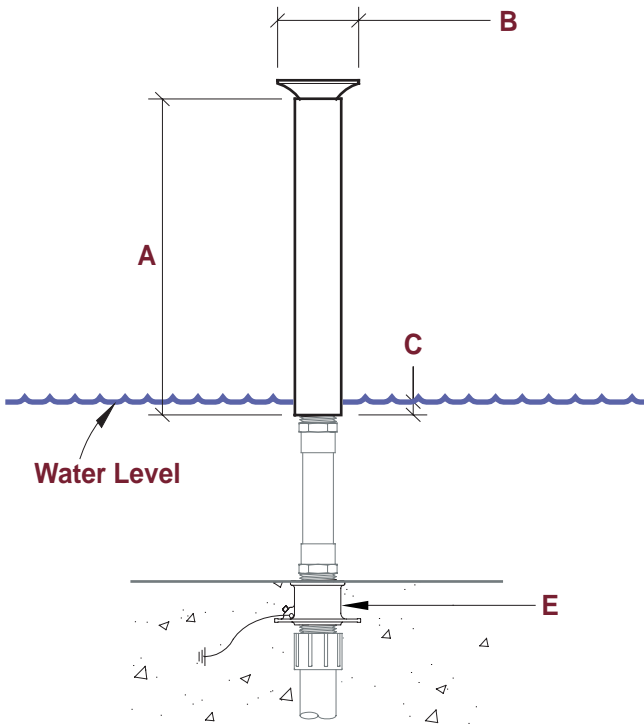
131 Series

Bell Jet

#131-1210 Bell Jet:
12" height, 1" NPT connection, 74° concave cone.

#131-1810 Bell Jet:
18" height 1" NPT connection, 74° concave cone.

#131-2410 Bell Jet:
24" height 1" NPT connection, 74° concave cone.



Model	A	B	C
131-1210	12"	3"	1/2"
131-1810	18"	3"	1/2"
131-2410	24"	3"	1/2"

Recommended accessories shown in drawing:
(E) 276 Series Slab Penetration.

Key Features:

- The diameter of the bell is adjustable by varying the gap between the cone and jet body and/or varying volume of flow to the jet.
- Standard finish is #16 polished brass; chrome-plating and powder coat finishes are available by request.
- Filtered or fine strained water recommended for optimum performance.
- Custom versions of height, connection and cone profiles are available by request.
- **Water level independent.**



Model	Order #	Water Level	Flow Volume & Pressure	Spray Height			Shipping Weight
				12"	18"	24"	
131-1210	200-20080	2'	GPM	5.5	4	2.5	6.0 lbs.
			Head (ft)	4'	4.5'	5'	
131-1810	200-20081	3'	GPM	10	8	6	7.0 lbs.
			Head (ft)	5'	5.5'	6'	
131-2410	200-20082	4'	GPM	14'	12	10	8.0 lbs.
			Head (ft)	6'	6.5'	7'	