



## 111 Series

### Geyser Jet

#### Function:

The 111 Series Geyser Jet is our most popular jet. It produces a massive frothy, white column of water that is conical in shape. The Geyser Jet complements any architectural situation whether displayed individually or in groups.



**#111-1070 Geyser Jet:**  
3/4" Solder connection; 1/4" orifice.

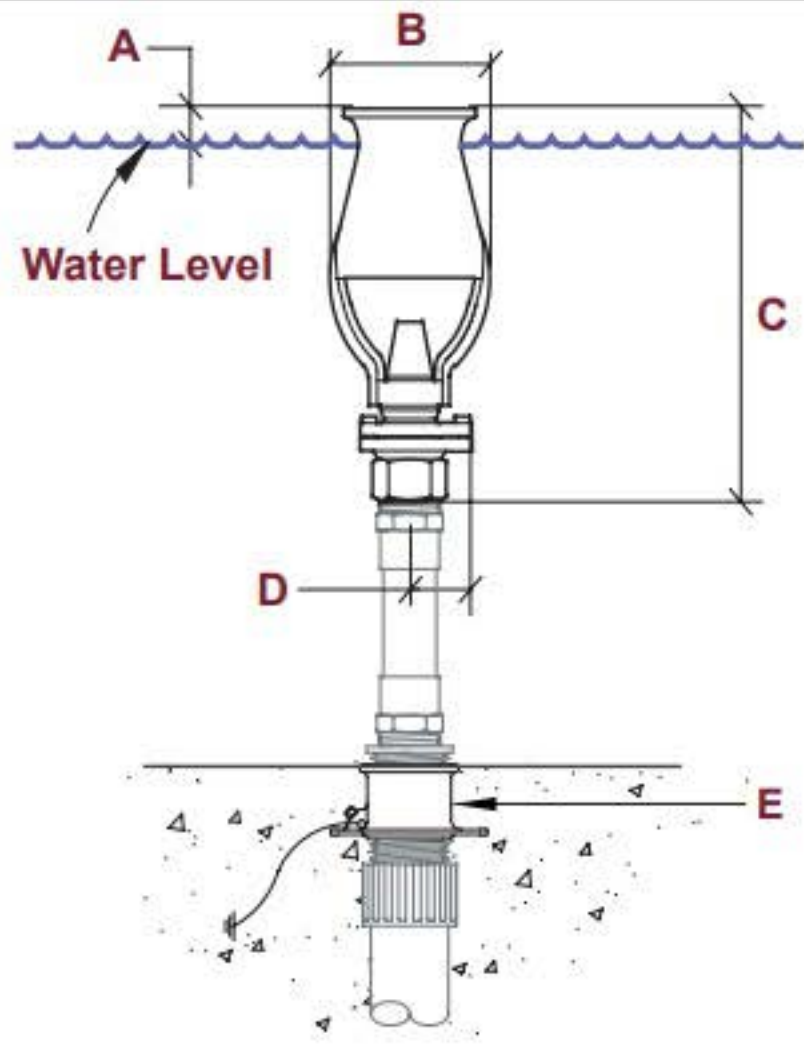
**#111-1071 Geyser Jet:**  
3/4" NPT connection; 1/4" orifice.

**#111-1150 Geyser Jet:**  
1-1/2" Solder connection; 5/8" orifice.

**#111-1151 Geyser Jet:**  
1-1/2" NPT connection; 5/8" orifice.

**#111-1300 Geyser Jet:**  
3" Solder connection; 1-1/8" orifice.

**#111-1301 Geyser Jet:**  
3" NPT connection; 1-1/8" orifice.



#### Key Features:

- Adjustable to 15 degrees off vertical.
- Machined cast bronze construction, with stainless steel fasteners.
- Three connection sizes available: 3/4", 1-1/2" & 3".
- **Water level dependent.** Will require a constant water level above the orifice.

Size	A	B	C	D
3/4"	1/2"	2-7/8"	7-1/8"	R1-1/4"
1-1/2"	1/2"	4-7/8"	11-1/2"	R1-15/16"
3"	1/2"	7-5/8"	1'-5-3/4"	R3-15/16"

Recommended accessories shown in drawing: (E) 276 Series Slab Penetration. Not shown but recommended: 486 Series Water Level Sensor, Surge/Baffle Collar.



Model	Order #	Flow Volume & Pressure	Spray Height												Shipping Weight	
			2'	3'	4'	5'	6'	8'	10'	12'	15'	20'	25'	30'		
111-1070	200-20048	GPM	17	19	21	23	26	30	33							5.0 lbs.
111-1071	200-20049	Head (ft)	30	34	43	51	61	77	83							
111-1150	200-20124	GPM	28	30	33	38	43	50	54	60	73				11.0 lbs.	
111-1151	200-20125	Head (ft)	15	21	28	35	43	52	63	73	86					
111-1300	200-20190	GPM				119	128	140	153	168	189	221	281	297	38.0 lbs.	
111-1301	200-20191	Head (ft)				18	23	29	35	41	50	60	97	121		

Toll Free: 1.877.426.4622  
 Phone: 770.457.3000  
 Fax: 770.457.4225  
 www.hobbsfountains.com