



141-FJ Series

Flex Jet

Function:

The **141-FJ Series Flex Jets** are deck mounted and produce smooth, clear, non-aerated streams of water. These jets are typically used around pool copings with the adjustable streams landing in the pool. They can be used individually but are particularly effective when used in groups forming arching patterns into the pool.

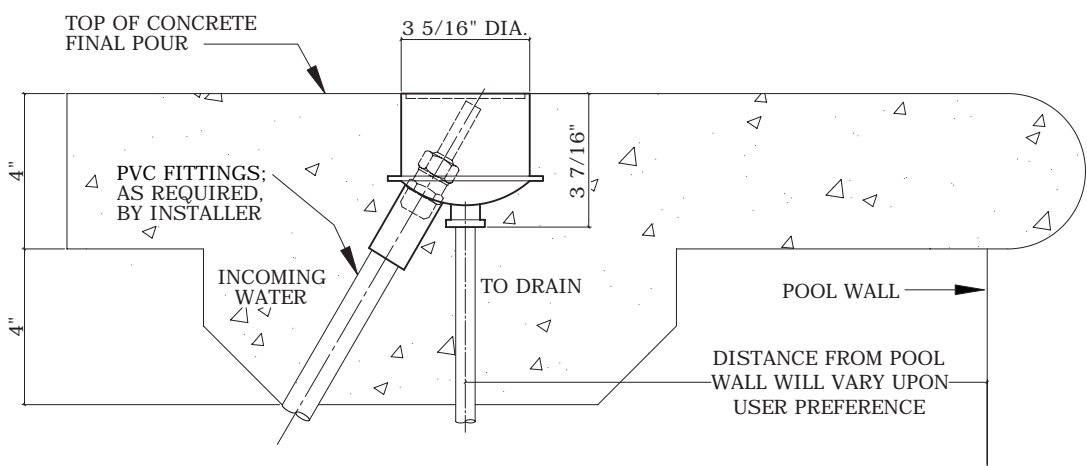


#141-FJ1 Flex Jet: 3/8" orifice jet, Brass cover plate.

#141-FJ2 Flex Jet: 3/8" orifice jet, Stainless Steel cover plate.

Key Features:

- Rugged PVC construction.
- Brass or Stainless Steel cover plate available.
- Adjustable to 15 degrees.



Model	Order # 200-	Flow Volume	Spray Height												Shipping Weight
			1'	2'	3'	4'	5'	6'	7'	8'	9'	10'	12'	14'	
141-FJ1	22040	GPM	2.4	3.5	4.3	5.1	5.8	6.3	6.9	7.4	7.8	8.3	10.2	11.8	1.5 lbs
141-FJ2	22041	GPM													
All Models		Head (ft)	1.4	2.8	4.2	5.6	7.0	8.4	9.8	11.2	12.6	14.0	16.8	19.6	

Toll Free: 1.877.426.4622
 Phone: 770.457.3000
 Fax: 770.457.4225
www.hobbsfountains.com