

423 Series

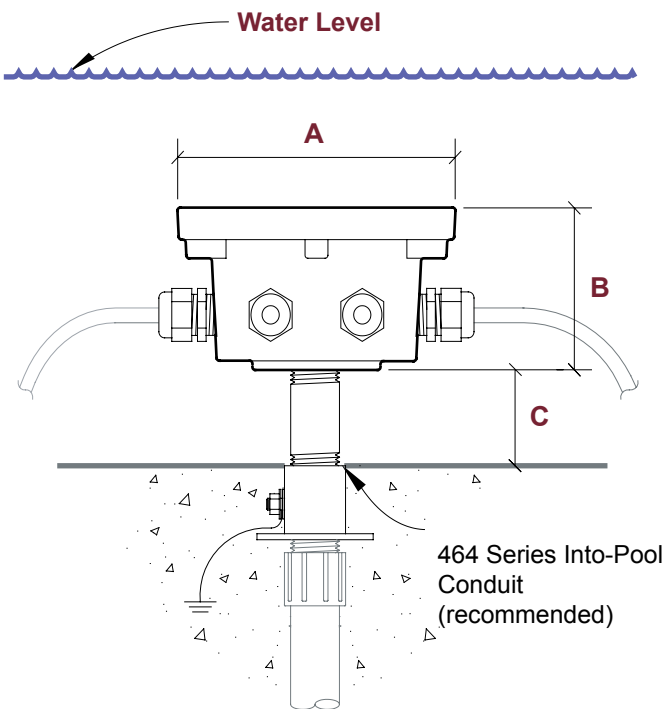
Junction Box



Function:

The **423 Series Submersible Junction Box** is designed for the connection of submersible pumps, lights, and other cord-equipped electrical devices to conduit systems.

The 423 Submersible Junction Box comes in two versions: the 423-38CS for 120 volt applications, and the 423-304CS for 12 volt applications. Both versions are supplied with a 1" female NPT bottom conduit entry for mounting onto a brass conduit extending at least 2" above the pool floor (our 464 Series Into-Pool Conduit Assembly is recommended).



| Model | A | B | C |
|-------|-----------|---------|----|
| All | 6" Square | 3-5/16" | 2" |

Key Features:

- 36 cubic inch internal volume.
- Versions for 120 and 12 volt systems.
- Cast bronze construction with stainless steel fasteners and internal ground screws.
- Includes neoprene cover gasket.
- 1" female NPT bottom conduit entry.

#423-38CS 120 Volt Junction Box: (8) 1/2" NPT cord seal tap. Includes (7) 1/2" plugs and (8) #452-3231 Cord Seals.

#423-304CS 12 Volt Junction Box: (4) 3/4" NPT cord seal tap. Includes (3) 3/4" plugs and (4) #452-3234 Cord Seals.

| Model | Order # | Description | Shipping Weight |
|-----------|-----------|--|-----------------|
| 423-38CS | 270-27315 | 120 Volt Junction Box with (1) 1" Bottom Tap; (8) 1/2" Side Taps; (8) #452- 3231 Cord Seals; (7) Plugs | 11.5 lbs |
| 423-304CS | 270-27366 | 12 Volt Junction Box with (1) 1" Bottom Tap; (4) 3/4" Side Taps; (4) #452-3234 Cord Seals; (3) Plugs | 10.5 lbs |